



TK24HT - Automatic 1/2" disc temperature limiter

TECHNICAL DATA

Rated voltage	250V
Rated current at power coeff. 0,6	6,3A
Rated current at power coeff. 0,95	10A
Number of automatic cycles, at rated current 16A and power coeff.0,95	10.000
Operating temperature	+250°C / +425°C
Tolerance of operating temperature	±6%
Reset temperature (lower than operating temperature)	60±10; 100±10; 150±10
Contact operation time	3 ms
Electric strenght of insulation	1.500V
Insulation resistance	50 MΩ
Heating speed	0,1 K/min - 1 K/min
Degree of protection	IP4X

This is a cyclic operating temperature sensitive device, which is intended to control the temperature between two particular values under normal operating conditions, automatically switching off the electrical circuit. This thermostat is designed to operate in higher temperatures. This thermostat is available only with electrical contacts that open as the temperature increases. Once the temperature of the bimetal disc has returned to the specified reset temperature, the contacts will automatically return to their original state. Besides its variety of standard configurations the thermostat can also be customized to the specific technical needs of the customer, assuring maximum design flexibility and usage in broad range of temperature control applications for consumer, industrial and commercial applications.

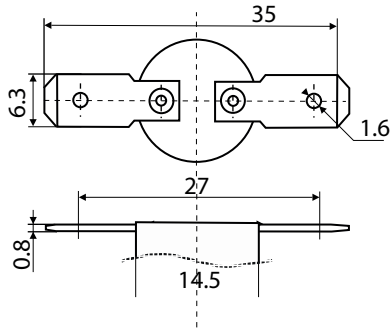


Via Bergamo 6 - 20835 Muggiò(MB) ITALY
Tel. +39 039 2328773 P.IVA 12934630158
www.rdcomponents.com - www.rdc-service.it

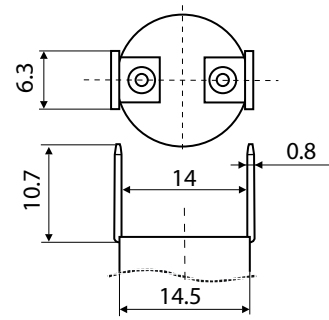


Table 1.1 (TERMINALS)

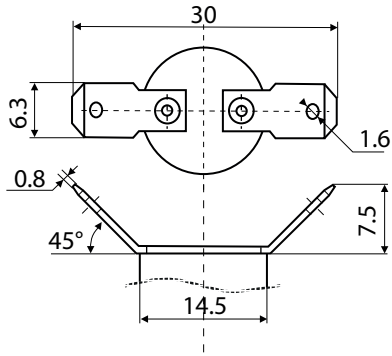
T01



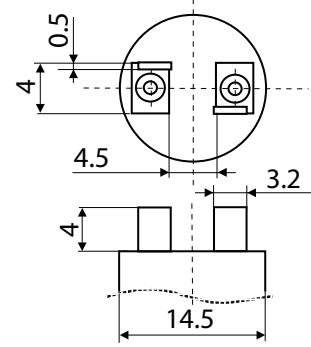
T02



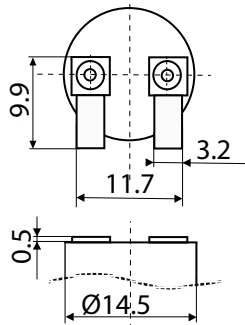
T03



T06



T07



T08

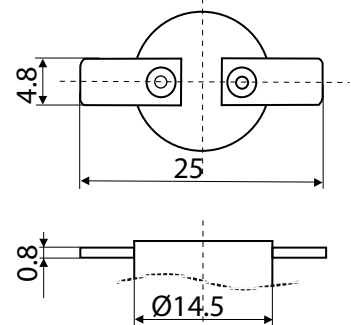


Table 1.2 (MOUNTING)

MG00
NO MOUNTING

MG02
CAP-FLANGE

MG04
CLIP WITH ONE FIXING HOLE

MG06
SCREW CAP ROUND

Screw parameters (MX, L) to be specified on the order form

MG01
ROTATION OR FIXED CLIP

MG03
ROTATION CLIP

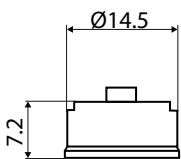
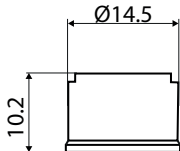
MG07
SCREW CAP HEXAEDRAL 17mm

Screw parameters (MX, L) to be specified on the order form

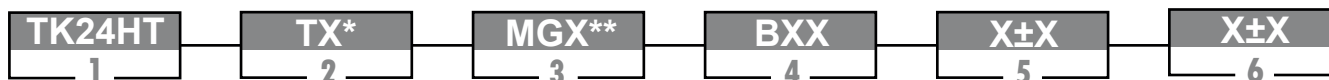
MG08
SCREW CAP HEXAEDRAL 16mm

Screw parameters (MX, L) to be specified on the order form

Table 1.3 (BODY e/o CASE)

B1C	CERAMIC BODY		B2C	CERAMIC BODY	
------------	---------------------	---	------------	---------------------	---

PART ORDERING SYSTEM



- 1 Thermostat model
- 2 Terminal version (select from Table 1.1)
- 3 Mounting version (select from Table 1.2)
- 4 Body version (select from Table 1.3)
- 5 Operating temperature value in °C and tolerance in ± %
- 6 Reset temperature value in °C and tolerance in ± %

EXAMPLE: TK24HT-T01-MG04-B2C-350±6%-200±10%