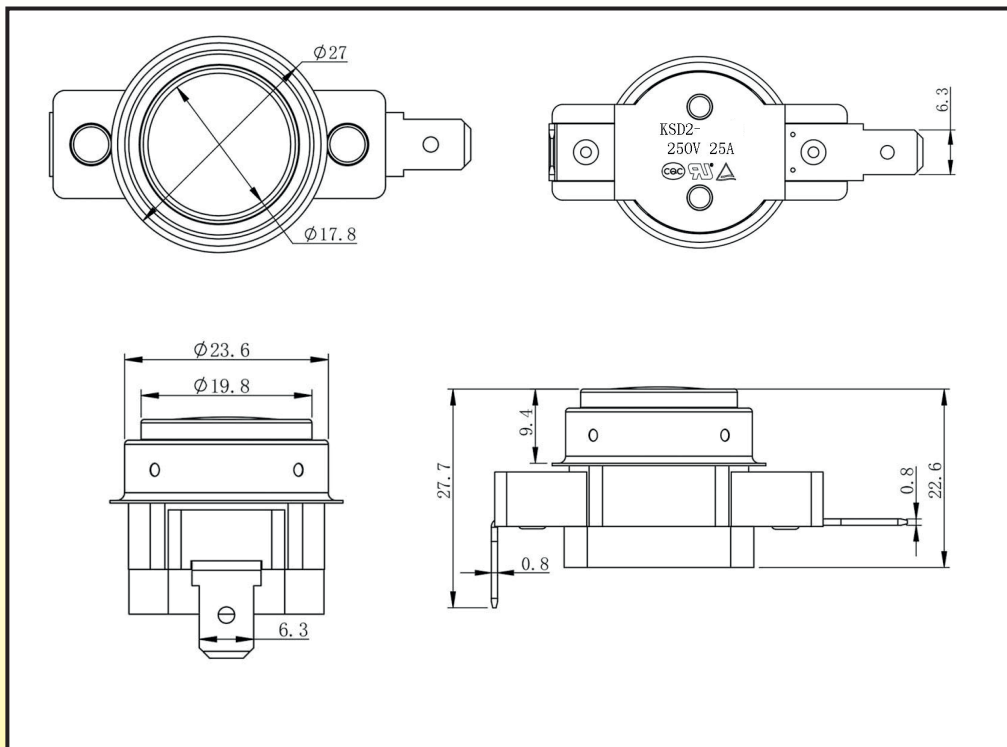


3/4" THERMOSTAT

SERIE KSD2



TECHNICAL DATA

Contact position	Normally closed
Contact rating	25A / 250V
Contact resistance	$\leq 50\text{m } \Omega$
Temperature range	0° - 150°C
Tolerance	$\pm 5^\circ\text{C}$
Approval	UL, VDE, Anti-spark



RD
Components S.r.l.

Via Bergamo 6 - 20835 Muggiò(MB) ITALY
Tel. +39 039 2328773 P.IVA 12934630158
www.rdccomponents.com - www.rdc-service.it

RD
Service