

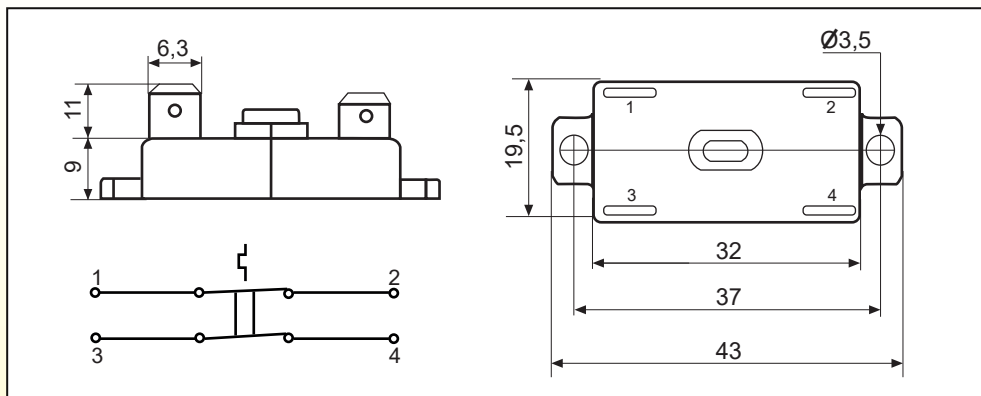


TOMIC S.A.



**AK33
SERIE**

BIMETAL TWO-PHASE MANUAL THERMOSTATS



TECHNICAL DATA

Contact	Normally closed (DPST)
Rated current	6A/250V
Switching cycles	10.000
Maximum loading	20A/2.000 cycles
Nominal temperature	65° - 150°C
Switching tolerance	±5K/±10K
Switching differential	Manual
Degree of protection	IP00
Approvals	RoHS



The two - phase manual bimetal thermostat type AK33 is a double thermal switch which guarantees the disconnection on two poles. It is used in different applications such as boilers, electric heaters, water heater, steam generators, automatic towels, ventilation systems and vending machines.

RD
Components S.r.l.

Via Bergamo 6 - 20835 Muggiò(MB) ITALY
Tel. +39 039 2328773 P.IVA 12934630158
www.rdccomponents.com - www.rdc-service.it

