



# TK32 - Manual

## 1/2" Disc temperature limiter

### TECHNICAL DATA

<b>Rated voltage</b>	250V
<b>Rated current at power coeff. 0,6</b>	16A
<b>Rated current at power coeff. 0,95</b>	10A
<b>Number of automatic cycles, at rated current 16A and power coeff.0,95</b>	10.000
<b>Operating temperature</b>	30° - 250°C
<b>Tolerance of temperature limited operating temp.</b>	±3°C (over 170°C:±3/±6%)
<b>Transient resistance</b>	0,01Ω - 0,05Ω
<b>Contact operating time</b>	3 ms
<b>Electric strenght of insulation</b>	1.500V
<b>Insulation resistance</b>	50 MΩ
<b>Heating speed</b>	0,1 K/min - 1 K/min
<b>Degrees of protection provided by enclosure</b>	IP4X - IP64

This is a temperature sensitive device, which is intended to keep a temperature below one particular value during normal operating conditions, automatically switching off the electrical circuit. This device is not self-resetting and operates with manual reset option. It prevents overheating in variety of consumer, industrial and commercial products. This temperature limited is available only with contacts that open as the temperature increases. The contacts may be reset by manually pushing on the reset button after the device has cooled below the open temperature calibration. Besides its variety of standard configurations this limiter can also be customized to the specific technical needs of the customer, assuring maximum design flexibility and usage in broad range of temperature control applications.

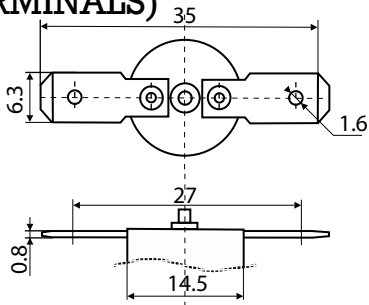


Via Bergamo 6 - 20835 Muggiò(MB) ITALY  
Tel. +39 039 2328773 P.IVA 12934630158  
[www.rdcomponents.com](http://www.rdcomponents.com) - [www.rdc-service.it](http://www.rdc-service.it)

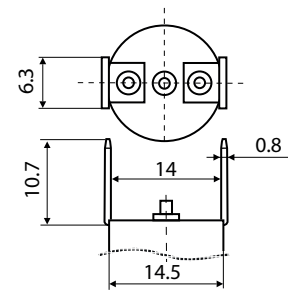


**Table 1.1 (TERMINALS)**

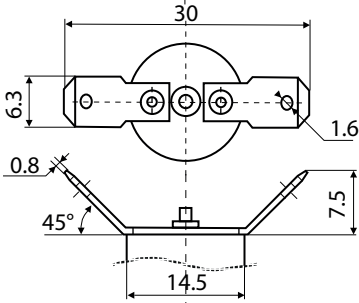
**T01**



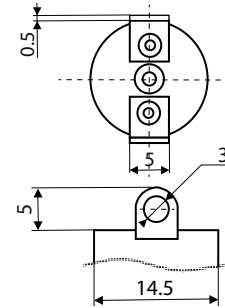
**T02**



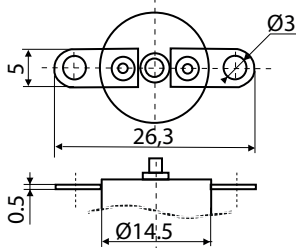
**T03**



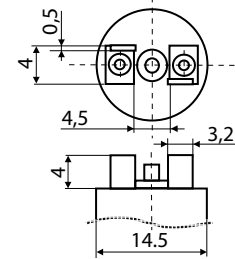
**T04**



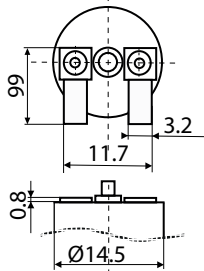
**T05**



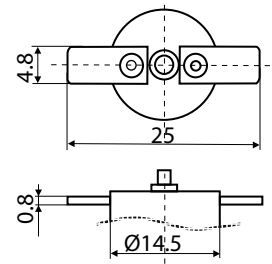
**T06**



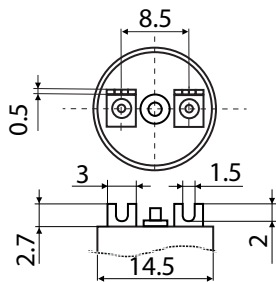
**T07**



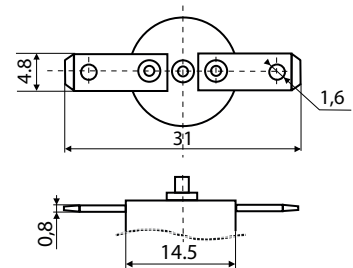
**T08**



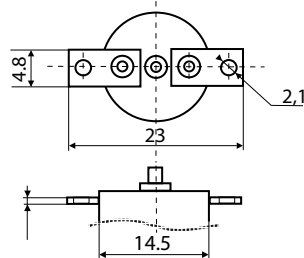
**T09**



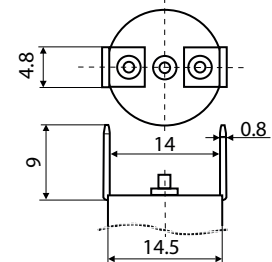
**T10**



**T11**

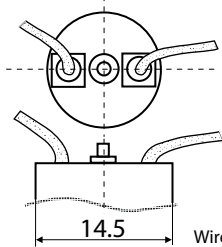


**T12**



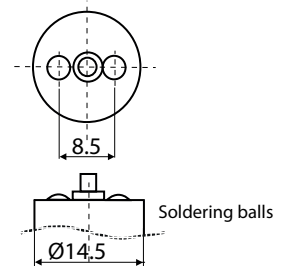
**T13**

Wire standard length: 150 mm



Wire information to be specified on the order form (type; cross-section; lengths; stripping)

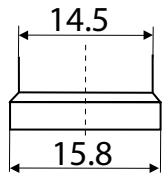
**T14**



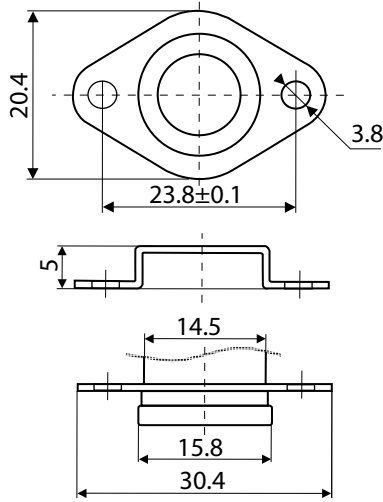
Soldering balls

**Table 1.2 (MOUNTING)**

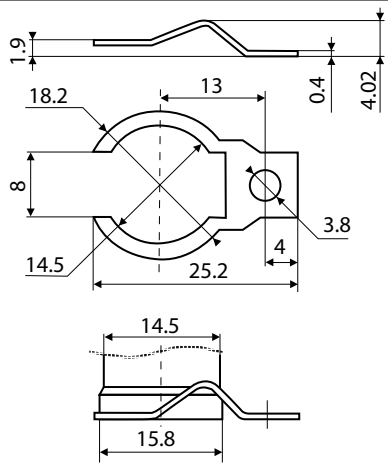
**MG00**  
NO MOUNTING



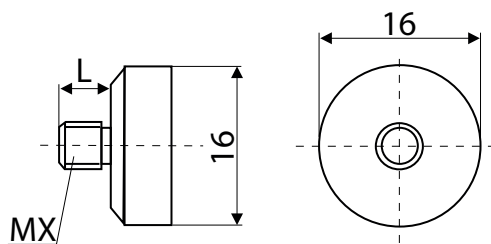
**MG02**  
CAP FLANGE



**MG04**  
CLIP WITH ONE FIXING HOLE

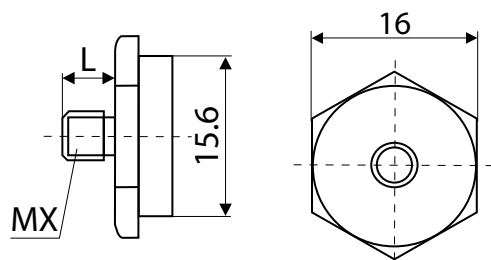


**MG06**  
SCREW CAP ROUND



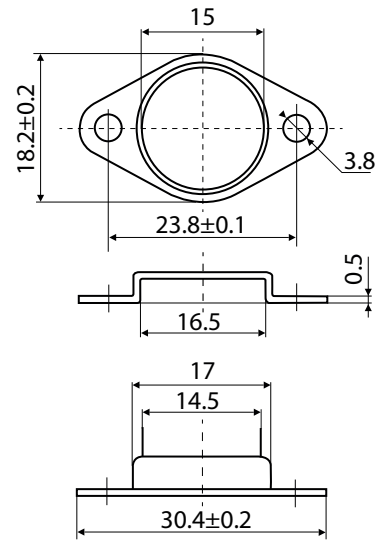
Screw parameters (MX, L) to be specified on the order form

**MG08**  
SCREW CAP HEXAEDRAL 16

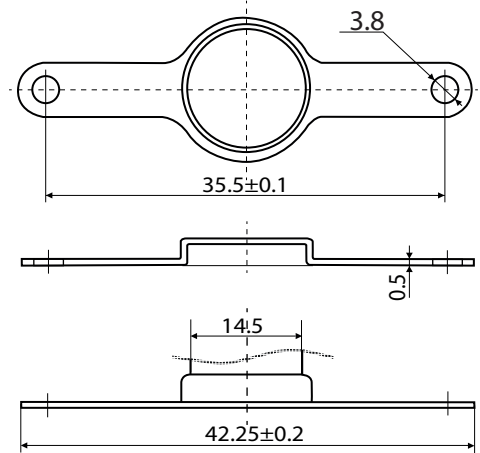


Screw parameters (MX, L) to be specified on the order form

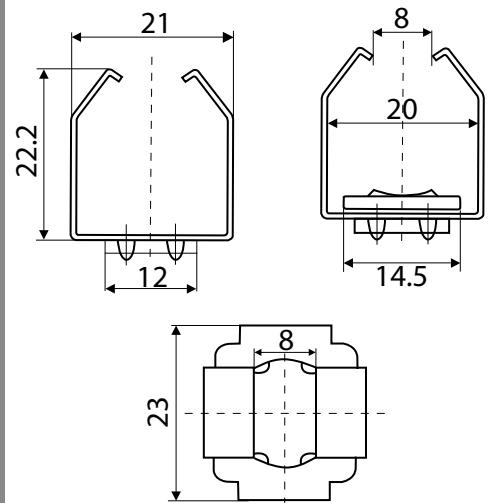
**MG01**  
ROTATION OR FIXED CLIP



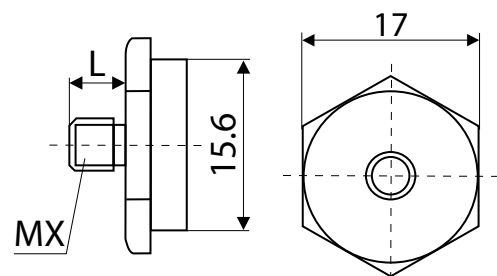
**MG03**  
ROTATION CLIP



**MG05**  
TUBE MOUNTING



**MG07**  
SCREW CAP HEXAEDRAL 17



Screw parameters (MX, L) to be specified on the order form

Table 1.3 (BODY and/or CASE)

<b>B1P</b>	<b>PLASTIC BODY</b>		<b>B1PR</b>	
<b>B1C</b>	<b>CERAMIC BODY</b>		<b>B1CR</b>	
<b>B2P</b>	<b>PLASTIC BODY</b>		<b>B2PR</b>	
<b>B2C</b>	<b>CERAMIC BODY</b>		<b>B2CR</b>	
<b>B3C</b>	<b>CERAMIC BODY</b>	 	<b>B3CR</b>	
			<b>B4S</b>	

**PART ORDERING SYSTEM**

<b>TK32</b>	<b>TX*</b>	<b>MGX**</b>	<b>BXX</b>	<b>X±X***</b>
<b>1</b>	<b>2</b>	<b>3</b>	<b>4</b>	<b>5</b>
<b>1</b>	Temperature limiter model			
<b>2</b>	Terminals version (select from Table 1.1)			
<b>3</b>	Mounting version (select from Table 1.2)			
<b>4</b>	Body version (select from Table 1.3)			
<b>5</b>	Operating temperature value in °C and tolerance in ± %***			

Example: **TK32-T01-MG04-B2C-60±3%**