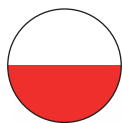




TOMIC S.A.

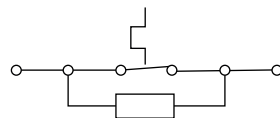


# SERIE ASR44

## BIMETAL THERMOSTAT WITH ELECTRIC RESET



ELECTRICAL SCHEME



### TECHNICAL DATA

<b>Contact position</b>	SPST - Normally closed
<b>Rated voltage</b>	115V AC; 230V AC; 24V AC,DC; 48V AC,DC
<b>Rated current</b>	16A
<b>Number of switching cycles</b>	6.000
<b>Temperature range</b>	65° - 175°C
<b>Switching differential</b>	Not higher than -20°C
<b>Electrical strenght of insulation</b>	2.500V / 50Hz



**RD**  
Components S.r.L.

Via Bergamo 6 - 20835 Muggiò(MB) ITALY  
Tel. +39 039 2328773 P.IVA 12934630158  
[www.rdccomponents.com](http://www.rdccomponents.com) - [www.rdc-service.it](http://www.rdc-service.it)



# 3/4" DISC SELF HOLD THERMAL CUT OUT

The self hold thermal cut out is designed to prevent overheat or fault conditions in a heater. Once activated in a fault condition, the contacts open and remain open. The only way to reset is to remove power from the circuit. This design feature adds extra safety over an automatic reset device and works much like a manual reset, but without the push button and without the problem of remote access to reset the device manually.

## HOW THE SELF HOLD ASR WORKS

The ASR is a thermostat/resistor combination. The resistor is electrically located below the contact arm of the thermostat. When the thermostat contacts open at the predetermined trip temperature, the resistors are in series with the load. The resistors maintain a temperature to the temperature sensitive bimetal of the thermostat to maintain the contacts in the open state. To reset the self hold ASR, power must be removed and sufficient time to allow for the self hold ASR bimetal to cool down before the thermostat resets itself to the normally closed position.

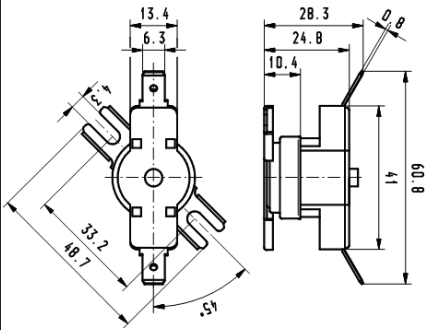
## FEATURES

- \* Recognized UL component, tested to UL standard 873
- \* Available with surface, air sensing, well or cavity type mountings
- \* High switching current 25 AMP/240 volts
- \* Reliable temperature performance over the life of the device
- \* Ultimate safety device in critical applications
- \* Also available for 115VAC, 24VAC/DC, 48VAC/DC, applications
- \* Various mounting configurations along with different terminations available

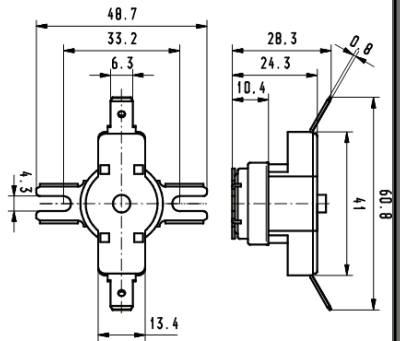
## APPLICATIONS

Unit Heaters	Process Air Heaters	Comfort Air Heaters
Circulation Heaters	Large Tank Heaters	Immersion Heaters
Air Conditioners	Spa Heaters	Sauna Heaters
Hand Dryers	Ventilating Equipment	Vending Machine
Boilers and Steam Generators	Tabletop Appliance	Commercial Cooking Equip

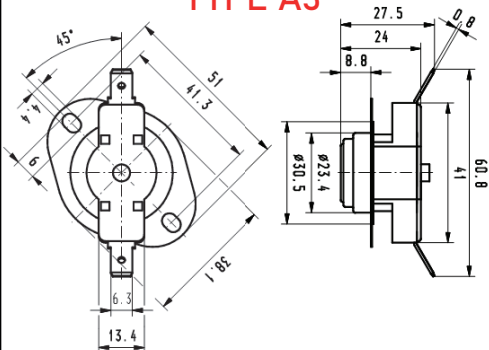
### TYPE A1



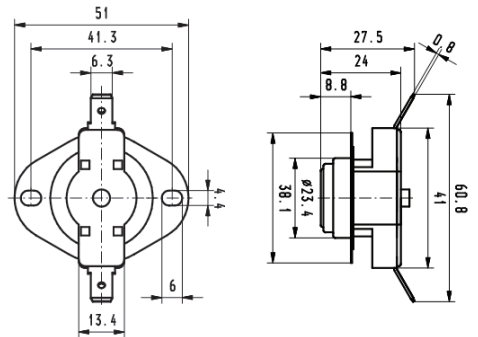
### TYPE A2



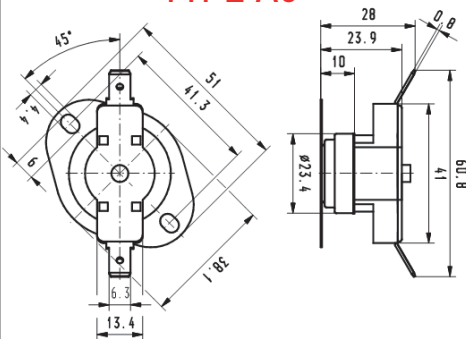
### TYPE A3



### TYPE A4



### TYPE A5



### TYPE A6

