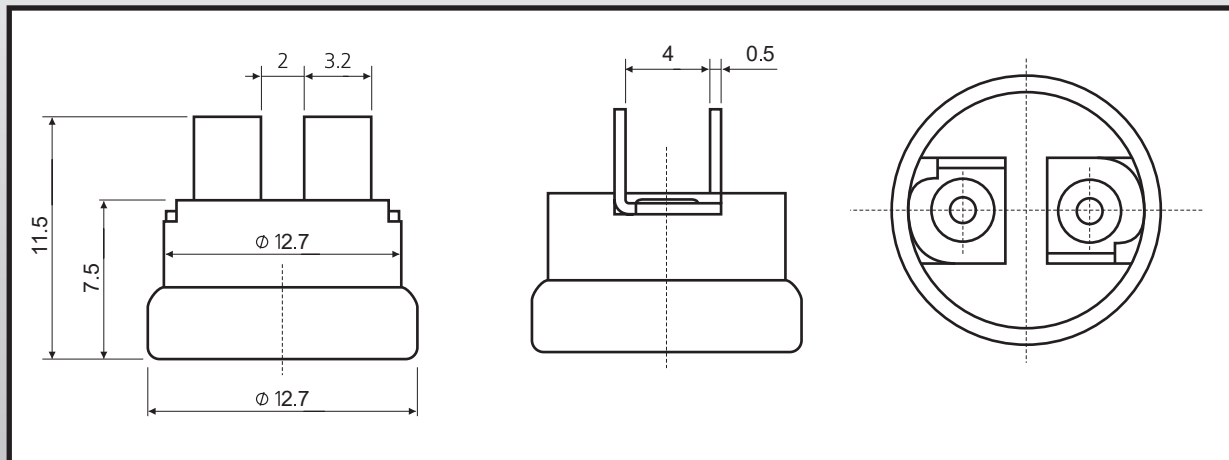


## Bimetal thermostat



### TECHNICAL DATA

<b>Rated voltage</b>	N.C. - N.A.
<b>Tensione nominale</b>	250V
<b>Rated current at power coeff. 0,95</b>	13,5A (10.000 cycles)
<b>Rated current at power coeff. 0,95</b>	10A (30.000 cycles)
<b>Rated current at power coeff. 0,95</b>	5A (100.000 cycles)
<b>Operating temperature</b>	+30°/+200°C
<b>Tolerance of temperature limited operating temp.</b>	±3°C
<b>Reset temperature</b>	20°C (under operating temp.)
<b>Electric strenght of insulation</b>	1.500V
<b>Insulation resistance</b>	50 MΩ
<b>Heating speed</b>	0,1 K/min - 1 K/min
<b>Protection degree</b>	IP4X