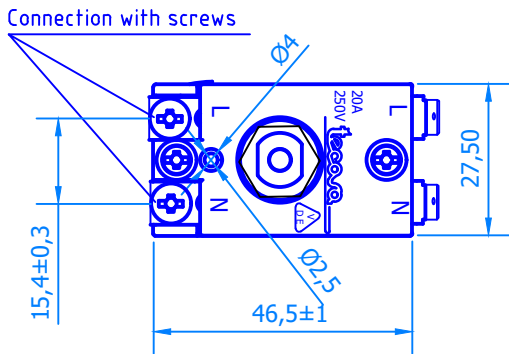
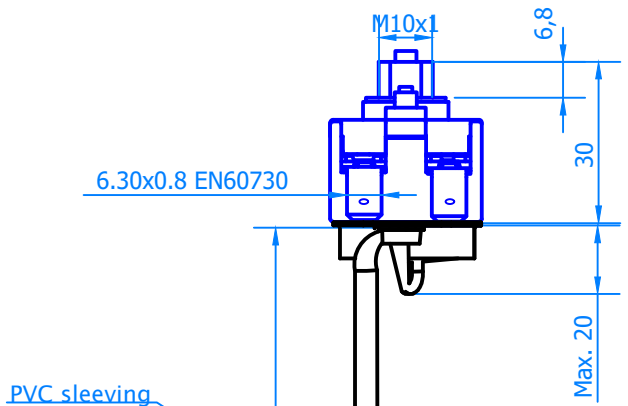


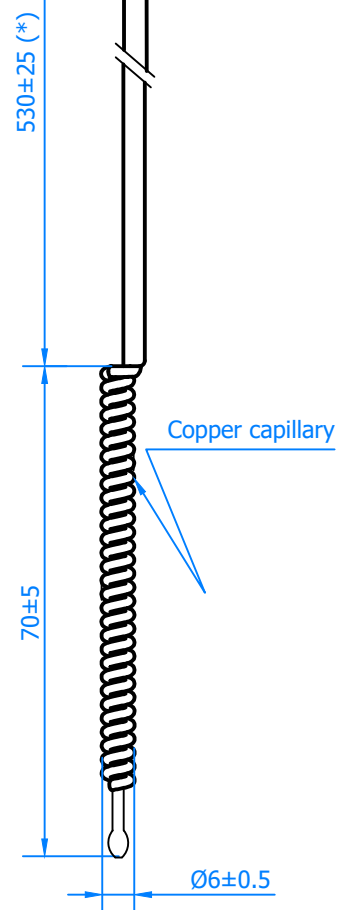
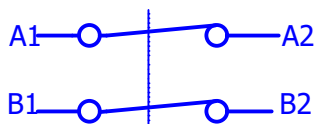
**DISCONNECTION TEMPERATURE**  
**92-7°C**



**TECHNICAL DATA**

1. Power supplier 20A/250
2. Bulb maximum temperature 150°C
3. Bulb minimum temperature: -10°C
4. Maximum body temperature: 100°C

**ELECTRIC DIAGRAM NC**



**REMARKS:**

- 1.-RESET temperature: The appliance can not connect again until the bulb doesn't fall 20°C at least
- 2.-FAIL-SAFE: The thermostat will disconnect automatically in case of bulb or capillary split
- 3.- Temperatures are measured introducing 80/100mm capillary and the phial in the bath at ambient T<sup>a</sup> of 23±3°C
4. The thermostats are supplied with nut
5. The indicated length of capillary is measured from the fixation cramp
6. Body color: grey
7. Recommended tightening torque of S-1607/00 between 160-180 cN.m
8. Nut S-1607/00 will be supplied assembled in M10

Sample 28/2016  
Sample 78/2012

		Toler.general UNE/EN 22768 "m"	DIBUJADO	REVISADO	FECHA
		EDICION	E.Mutlu	V.B.C.	26.06.2012
EDICIONES	B) Updated dimensions.		E.Mutlu	V.B.C.	10.10.2014
	C) Modified reference, added 92		E.K.	V.B.C.	15.03.2016
	D) Added torque information for S-1607/00		S.A.	V.B.C.	2017/11/13
	E) Corrected body temperature.		G.K.	S.A.	2018/10/12
	F) Changed thickness of the nut, bef 2,7		V.B.C.		2019/10/24
G) Changed nut supply way		V.B.C.		2020/03/17	

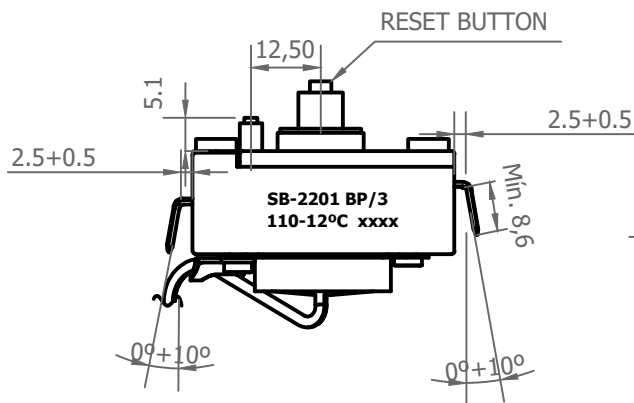


**SB-1201 TES 92**

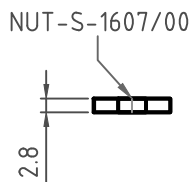
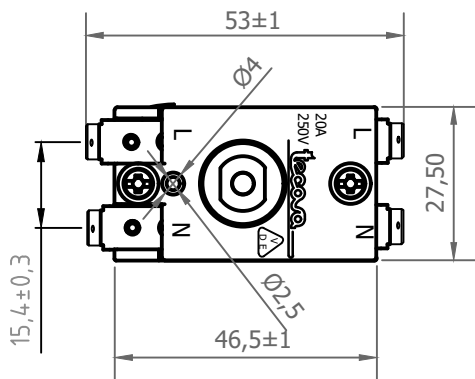
ESCALAS  
1:1

**SB THERMOSTAT**

REF. CLIENTE: 102193  
SUSTITUYE A: SB-2201 TES



**DISCONNECTION TEMPERATURE**  
**110-12°C**



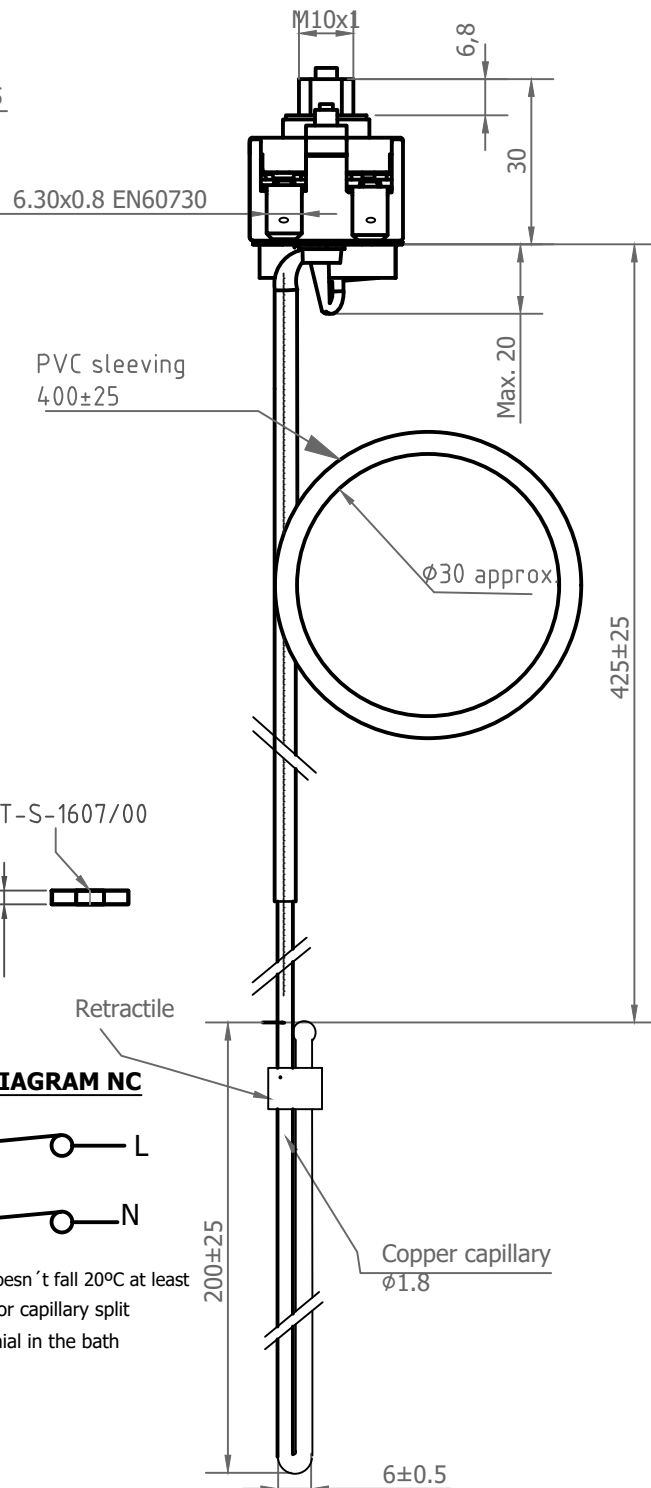
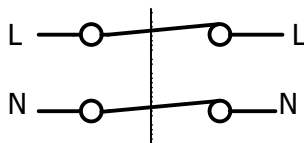
**TECHNICAL DATA**

- 1.-Power supplier 20A/250
- 2.-Bulb maximum temperature 150°C
3. Bulb minimum temperature: -10°C
4. Maximum body temperature: 90°C

**REMARKS:**

- 1.-RESET temperature: The appliance can not connect again until the bulb doesn't fall 20°C at least
- 2.-FAIL-SAFE: The thermostat will disconnect automatically in case of bulb or capillary split
- 3.- Temperatures are measured introducing 80/100mm capillary and the phial in the bath at ambient T° of 23±3°C
4. The thermostats are supplied with nut
5. Body color: grey
6. PACKING: N° Layers X thermostats / layer = 7x50  
Total thermostats per box = 350

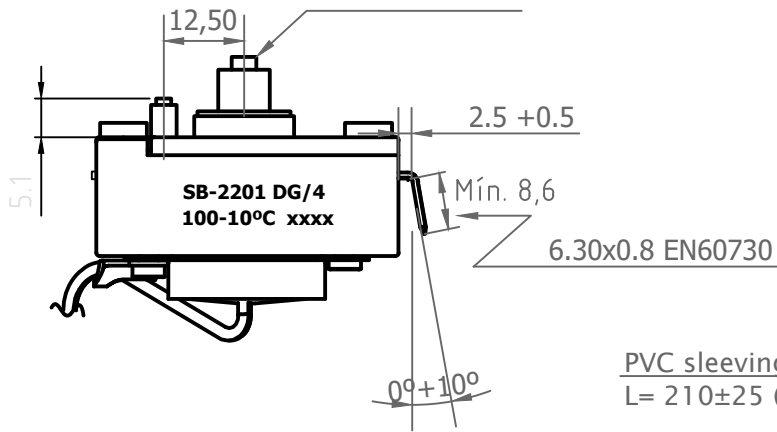
**ELECTRIC DIAGRAM NC**



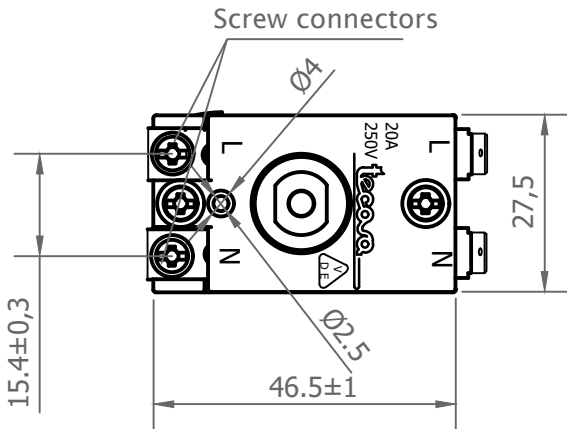
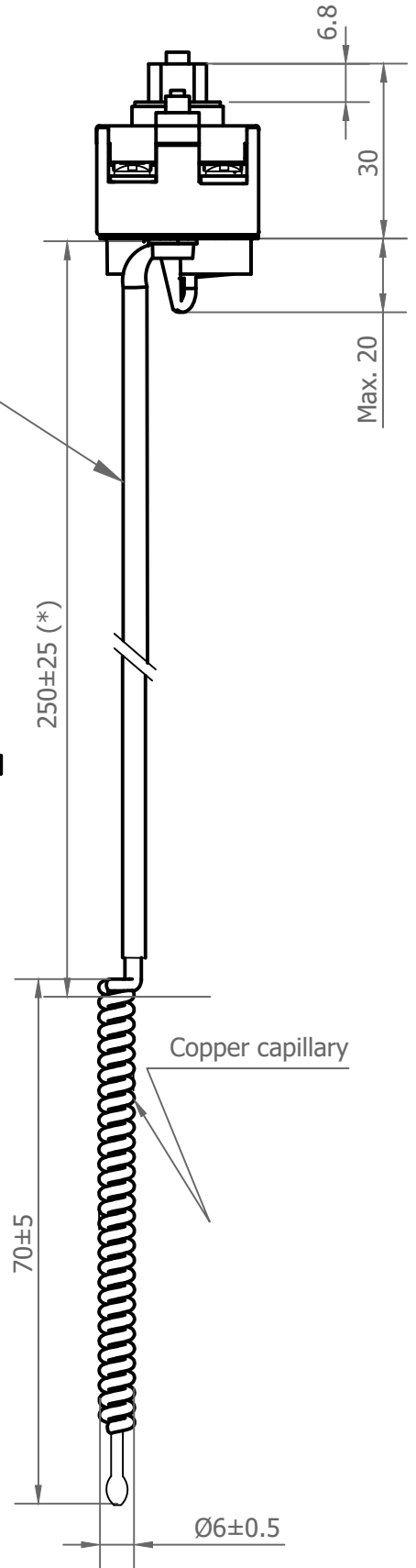
Sample 28/2016

	Toler.general UNE/EN 22768"m"	DIBUJADO	REVISADO	FECHA	
	EDICION	V.B.C.		2014/12/17	
EDICIONES	A) Cambiado tipo de bulbo e indicado color del cuerpo	V.B.C.		2016/03/08	<b>SB-2201 BP/3 110</b>
	B) Phial type is changed. Before, it was coiled.	E.K.	V.B.C.	2016/05/23	
	C) Added note packing	E.Garcia		2016/06/22	
	D) Changed thickness of the nut, bef 2,7	S.A.	V.B.C.	2019/10/24	
ESCALAS	<b>SB THERMOSTAT</b>			REF. CLIENTE:	SUSTITUYE A: SB-2201 BP/3
1:1					

RESET BUTTON



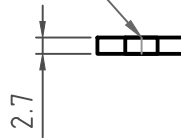
**DISCONNECTION TEMPERATURE**  
**100-10°C**



PVC sleeving  
L= 210±25 (\*)

Threaded cap

NUT-S-1607/00

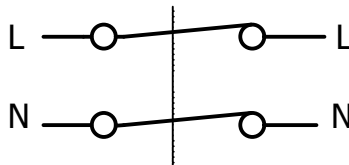


Copper capillary

**TECHNICAL DATA**

1. Power supplier 20A/250
- 2.-Bulb maximum temperature 150°C
3. Bulb minimum temperature: -10°C
4. Maximum body temperature: 100°C

**ELECTRIC DIAGRAM NC**



**REMARKS:**

- 1.-RESET temperature: The appliance can not connect again until the bulb doesn't fall 20°C at least
- 2.-FAIL-SAFE: The thermostat will disconnect automatically in case of bulb or capillary split
- 3.- Temperatures are measured introducing 80/100mm capillary and the phial in the bath at ambient T<sup>a</sup> of 23±3°C
4. The thermostats are supplied with nut and threaded cap
5. The indicated lengths of capillary and protection are measured from the fixation cramp
6. Body color: grey
7. PACKING: N° Layers X thermostats / layer = 6x56  
= 1x54  
Total thermostats per box = 390
8. Recommended tightening torque of S-1607/00 between 160-180 cN.m

	Toler.general UNE/EN 22768 "m"	DIBUJADO	REVISADO	FECHA
	EDICION	V.B.C.		2012/09/10
B)	Updated gnral dimension acc. to supplier	V.B.C.		2014/07/24
C)	Drawing is updated based on new nomenclature	E.K.	V.B.C.	2016/03/07
D)	Added note packing	E.Garcia		2016/06/22
E)	Modified reference, before SB-1201 DG/4 100	V.B.C.		2016/09/13
F)	Added torque information for S-1607/00	S.A.	V.B.C.	2017/11/13
G)	Corrected body temperature.	G.K.	S.A.	2018/10/12

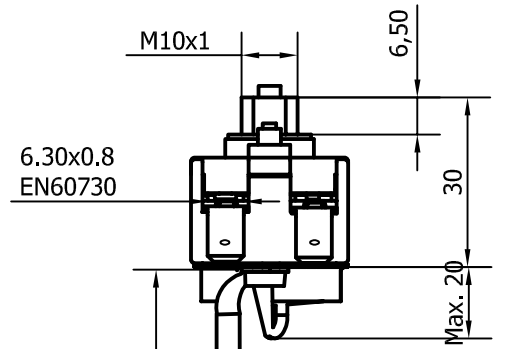
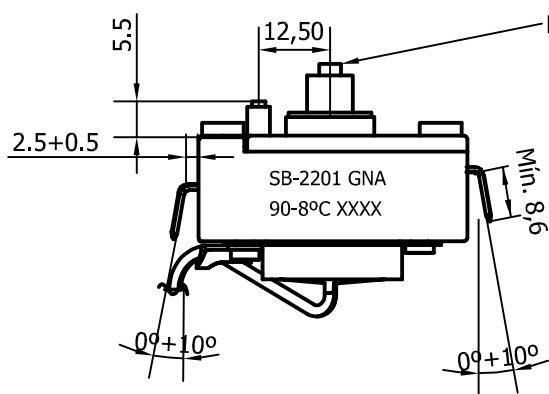


**SB-2201 DG/4 100**

REF. CLIENTE:  
SUSTITUYE A:SB-1201 DG/4

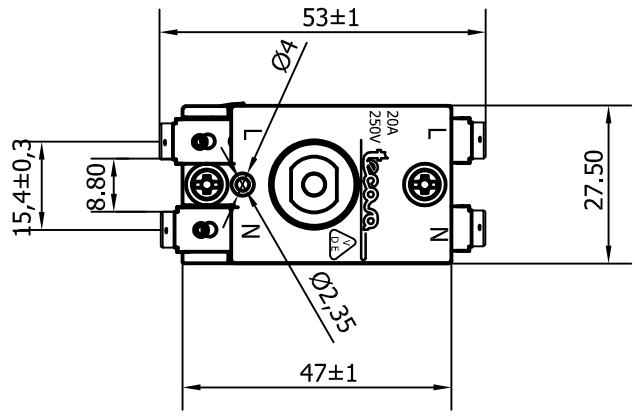
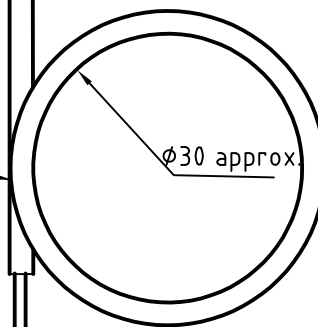
ESCALAS  
1:1

**SB THERMOSTAT**



**DISCONNECTION TEMPERATURE**  
90-8°C

PVC sleeving  
245±10



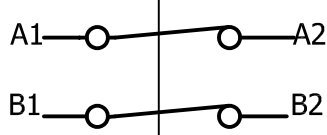
645±25

Copper capillary  
ø1.9

**TECHNICAL DATA**

1. Power supplier 20A/250
2. Bulb maximum temperature 150°C
3. Bulb minimum temperature: -10°C
4. Maximum body temperature: 100°C

**ELECTRIC DIAGRAM NC**

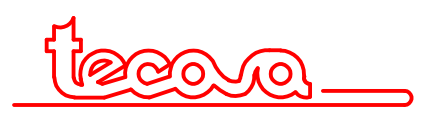


**REMARKS:**

- 1.-RESET temperature: The appliance can not connect again until the bulb don't fall 20°C at least
  - 2.-FAIL-SAFE: The thermostat will disconnect automatically in case of bulb or capillary split
  - 3.- Temperatures are measured introducing **400+20 mm capillary** in the bath and at ambient T<sup>a</sup> of 23±3°C
  4. The thermostats are supplied with nut and threaded cap
  5. Capillary and protection length is measured from the cramp
  6. Recommended tightening torque of S-1607/00 between 160-180 cN.m
- CS-

Sample 50/2022

Gnral. toler. UNE/EN 22768 "m"		DRAWN	CHECKED	DATE
EDITION		V.B.C.		2022.05.02
EDITIONS	A) Updated test conditions	V.B.C.		2022.05.18
	B) Updated test conditions, before 450±20	E.GARCIA		2022.06.30
	C) Changed length of capillary in bath, before 350±20	V.B.C.		2022.11.17

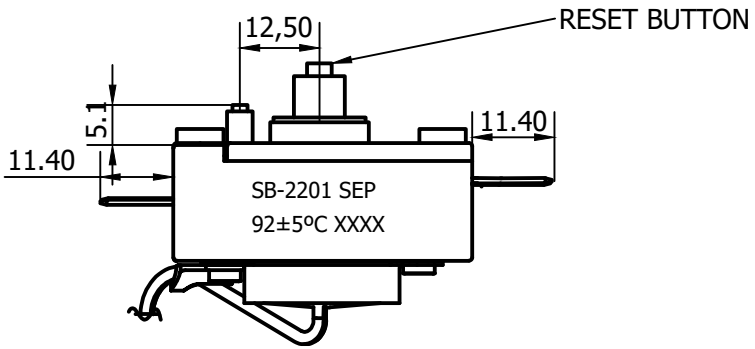


**SB-2201 GNA 90**

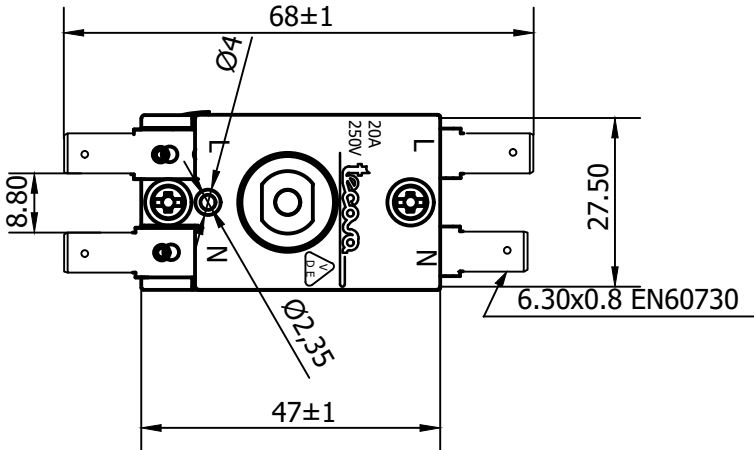
customer reference: 070157  
replaces to:

SCALES  
1:1

**SB THERMOSTAT**



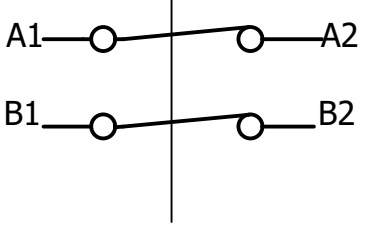
**DISCONNECTION TEMPERATURE**  
92±5°C



**TECHNICAL DATA**

1. Power supplier 20A/250
2. Bulb maximum temperature 150°C
3. Bulb minimum temperature: -10°C
4. Maximum body temperature: 90°C

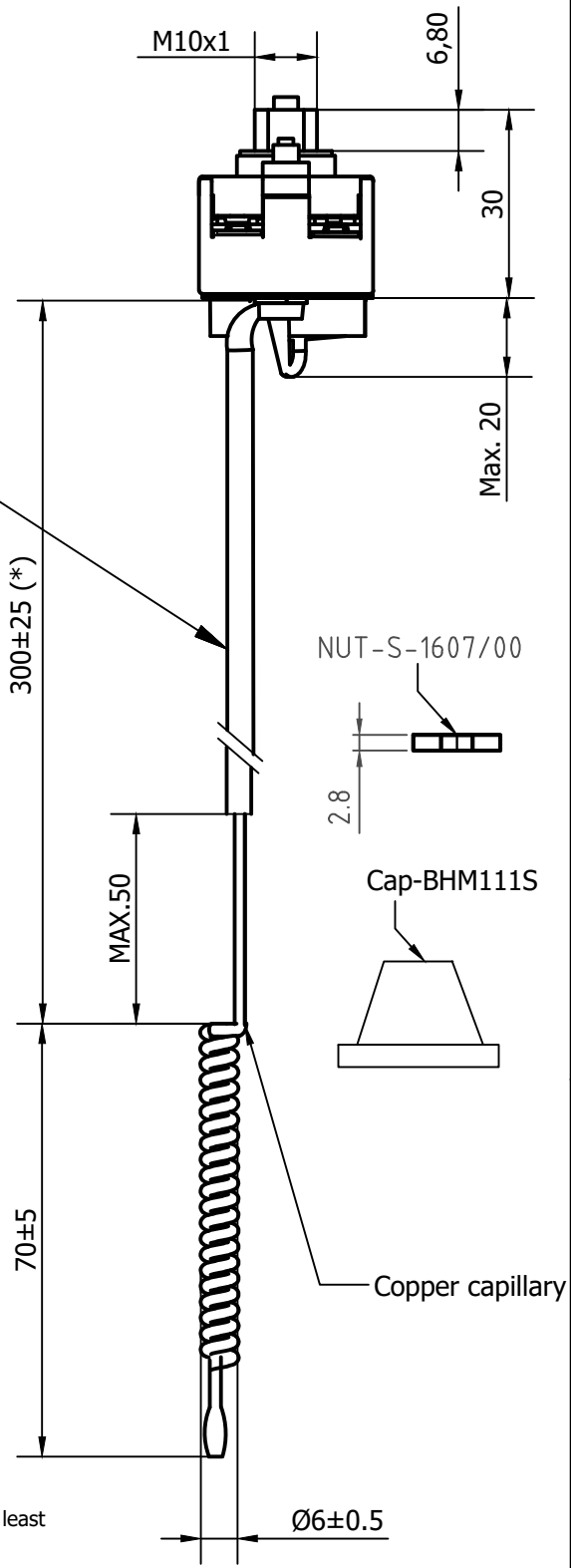
**ELECTRIC DIAGRAM NC**



**REMARKS:**

- 1.-RESET temperature: The appliance can not connect again until the bulb doesn't fall 20°C at least
- 2.-FAIL-SAFE: The thermostat will disconnect automatically in case of bulb or capillary split
- 3.- Temperatures are measured introducing 80/100mm capillary and the phial in the bath at ambient T<sup>a</sup> of 23±3°C
4. The thermostats are supplied with nut and cap.
5. Recommended tightening torque of S-1607/00 between 160-180 cN.m

CS-



Toler.general UNE/EN 22768*m*		DIBUJADO	REVISADO	FECHA
EDICION		G.K.	S.A.	08.10.2018
EDICIONES	A) Changed thickness of the nut, bef 2,7	S.A.	V.B.C.	2019/10/24
	B) Code of cap is specified.	Ç.K.	V.B.C.	2020/09/17



**SB-2201 SEP 92**

**REF. CLIENTE:**  
**SUSTITUYE A:**

**ESCALAS**  
1:1

**SB THERMOSTAT**