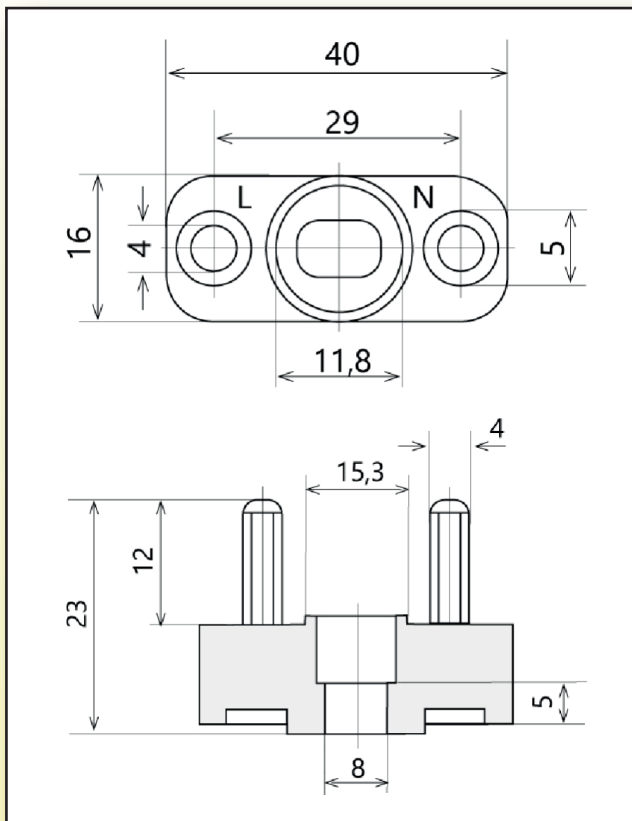


TERMINAL BLOCK 40x16



Measures	40x16 mm
Materials	Brass
Pins	2 fixed pins with cylindrical base
Accessories	4 nuts + 4 washers
Thermal class	F (150°C)
Approval	UL - CSA



RD
&
Components S.r.l.

Via Bergamo 6 - 20835 Muggiò(MB) ITALY
Tel. +39 039 2328773 P.IVA 12934630158
www.rdcomponents.com - www.rdc-service.it

RD
&
Service

