

TK24 - Automatic 1/2" Disc temperature limiter

TECHNICAL DATA

Rated voltage	250V
Rated current at power coeff. 0,6	16A
Rated current at power coeff. 0,95	10A
Number of automatic cycles, at rated current 16A and power coeff.0,95	10.000
Operating temperature	30° - 250°C
Tolerance of operating temperature	±3°C (oltre 170°C:±3/±6%)
Transient resistance	0,01Ω - 0,05Ω
Contact operating time	3 ms
Electric strenght of insulation	1.500V
Insulation resistance	50 MΩ
Heating speed	0,1 K/min - 1 K/min
Degrees of protection	IP4X - IP64

TK24 is a cyclic operating temperature sensitive device, which is intended to control the temperature between two particular values under normal operating conditions, automatically switching on or off the electrical circuit.

This thermostat can be built to either open or close its electrical contacts as the temperature increases.

Once the temperature of the bimetal disc has returned to the specified reset temperature, the contacts will automatically return to their original state.

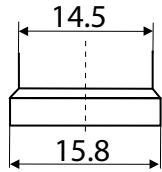
Besides its variety of standard configurations the thermostat can also be customized to the specific technical needs of the customer, assuring maximum design flexibility and usage in broad range of temperature control applications for consumer, industrial and commercial products.

Table 1.1 (TERMINALS)

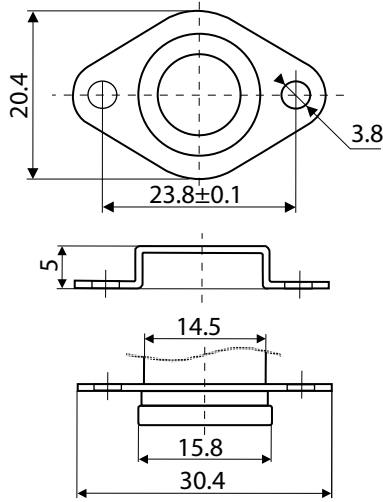
<p>T01</p>		<p>T02</p>	
<p>T03</p>		<p>T04</p>	
<p>T05</p>		<p>T06</p>	
<p>T07</p>		<p>T08</p>	
<p>T09</p>		<p>T10</p>	
<p>T11</p>		<p>T12</p>	
<p>T13</p>	<p>Wire standard length: 150mm The only option for TK24 (-45 +10)</p> <p>Wire information to be specified on the order form (type; cross-section; lengths; stripping)</p>	<p>T14</p>	

Table 1.2 (MOUNTING)

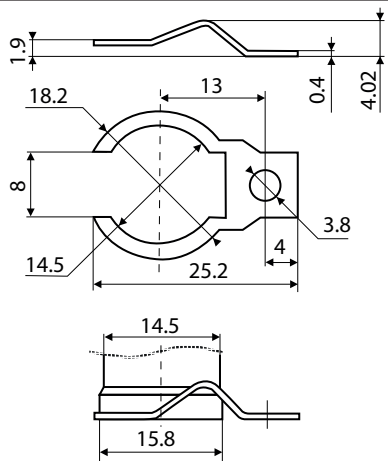
MG00
NO MOUNTING



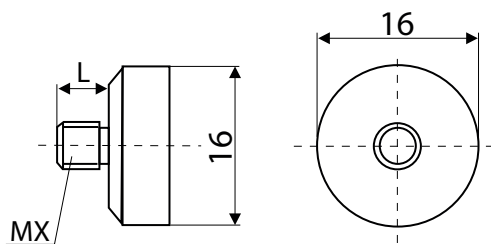
MG02
CAP-FLANGE



MG04
CLIP WITH ONE FIXING HOLE

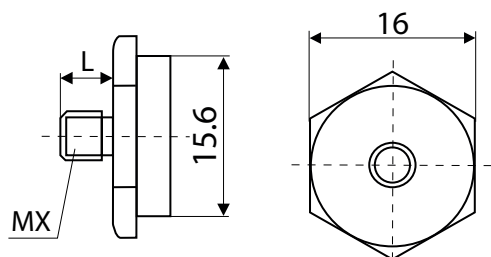


MG06
SCREW CAP ROUND



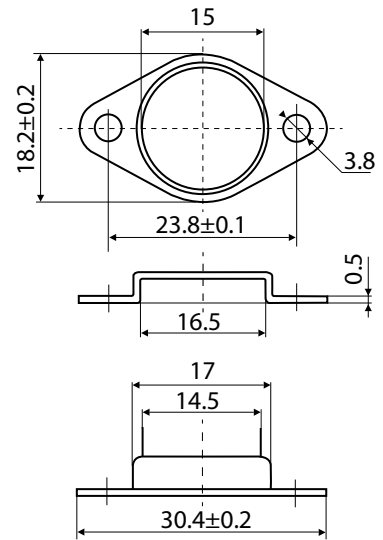
Screw parameters (MX, L) to be specified on the order form

MG08
SCREW CAP HEXAEDRAL 16mm

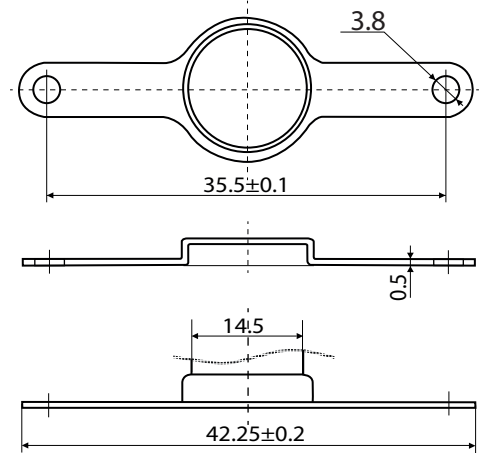


Screw parameters (MX, L) to be specified on the order form

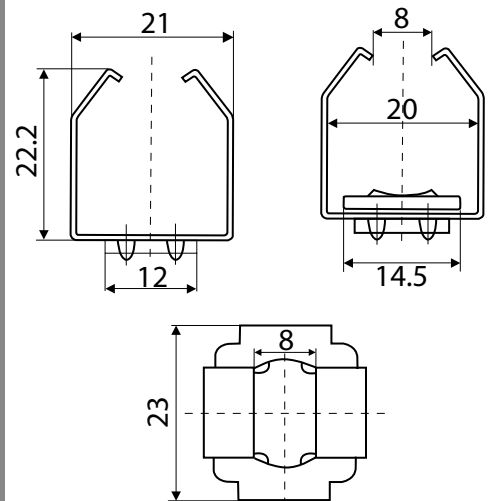
MG01
ROTATION OR FIXED CLIP



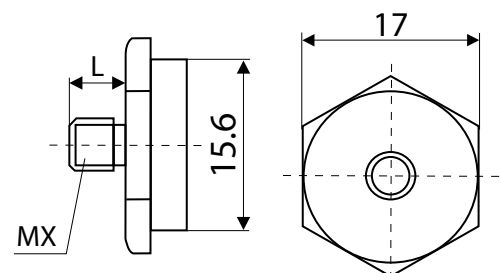
MG03
ROTATION CLIP



MG05
TUBE MOUNTING



MG07
SCREW CAP HEXAEDRAL 17mm



Screw parameters (MX, L) to be specified on the order form

Table 1.3 (BODY and/or CASE)

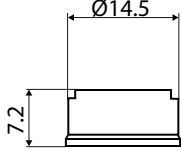
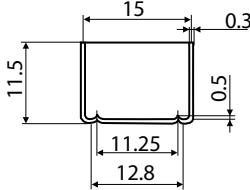
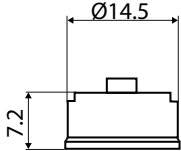
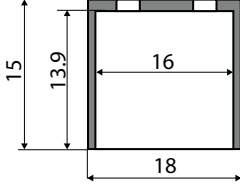
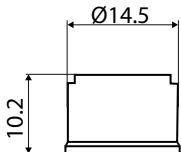
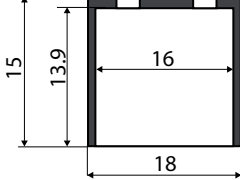
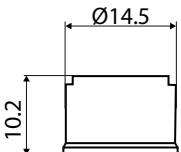
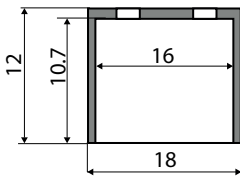
B1P	PLASTIC BODY		B3S	STEEL CASING		Only with lead wires Protection degree IP64
B1C	CERAMIC BODY		B4P	PLASTIC CASING		Only with lead wires and screw caps Protection degree IP64
B2P	PLASTIC BODY		B4C	CERAMIC CASING		Only with lead wires and screw caps Protection degree IP64
B2C	CERAMIC BODY		B5P	PLASTIC CASING		Only with lead wires Protection degree IP64

Table 1.4 (CONTACT TYPE and CONTACT TRANSIENT RESISTANCE VALUE)

CODE	CONTACT TYPE	CONTACT TRANSIENT RESISTANCE
1	Normally closed (NC)	≤50
2	Normally open (NA)	≤50
3	Normally closed (NC)	≤10
4	Normally open (NA)	≤10
5	Normally closed (NC)	≤5
6	Normally open (NA)	≤5

PART ORDERING SYSTEM

TK24	TX*	MGX**	BXX	X	X±X***	X±X***
1	2	3	4	5	6	7

- 1 Thermostat model (automatic or manual)
- 2 Terminals version (select from table 1.1)
- 3 Mounting version (select from table 1.2)
- 4 Body version (select from table 1.3)
- 5 Contact type and contact transient resistance value (select form table 1.4)
- 6 Operating temperature in °C and tolerance in ± %***
- 7 Reset temperature in °C and tolerance in ± %***

EXAMPLE: TK24-T01-MG04-B2C-2-60±3%-20±5%