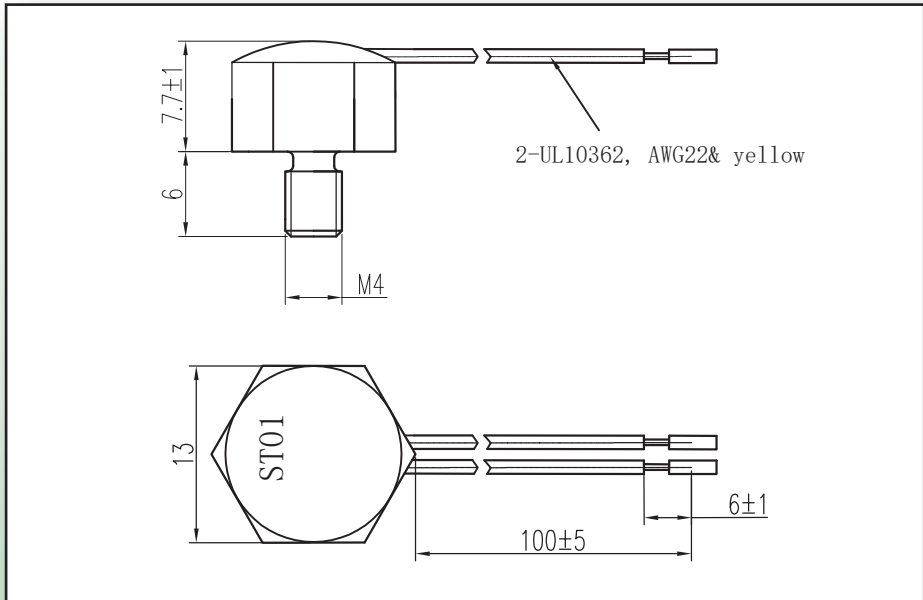


ST01

THERMAL PROTECTOR WITH AUTOMATIC RESET



TECHNICAL SPECIFICATION

Contact configuration	Normally closed/open
Rated current/ switching cycles	250VAC/5A - 10.000 250VAC/3A - 10.000 250VAC/6,3A - 3.000
Dimensions	13x13,7x13 mm
Nominal temperatures	60°C - 150°C
Tolerance	±5°C/±5%
Approvals	UL, TUV

