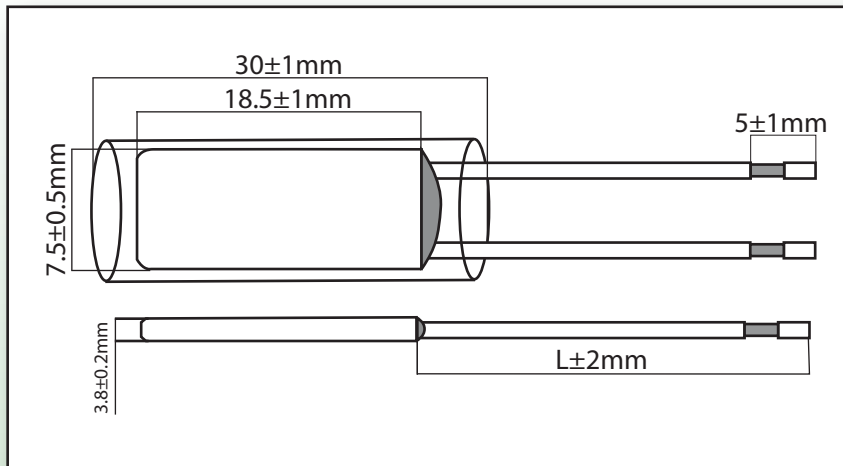


# H21

## THERMAL PROTECTOR



### TECHNICAL DATA

<b>Contact configuration</b>	Normally closed
<b>Contact rating</b>	250VAC/10A (5A UL)
<b>Number of automatic cycles</b>	10.000
<b>Dimensions</b>	18,5x7,5x4 mm
<b>Nominal temperatures</b>	50°C - 150°C
<b>Tolerance</b>	$\pm 5^\circ\text{C}$
<b>Reset temperature</b>	2/3 nominal temperature $\pm 15^\circ\text{C}$
<b>Approvals</b>	UL, TUV

