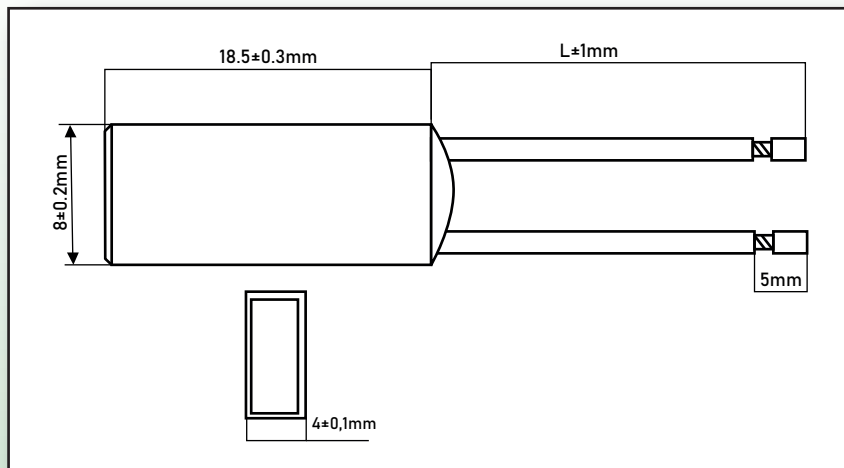


# H20

## THERMAL PROTECTOR



### TECHNICAL DATA

Contact configuration	Normally closed
Contact rating	250VAC/10A
Number of automatic cycles	10.000
Dimensions	18,5x8x4 mm
Nominal temperatures	45°C - 145°C
Tolerance	$\pm 5^\circ\text{C}$
Approvals	UL, TUV, CQC

