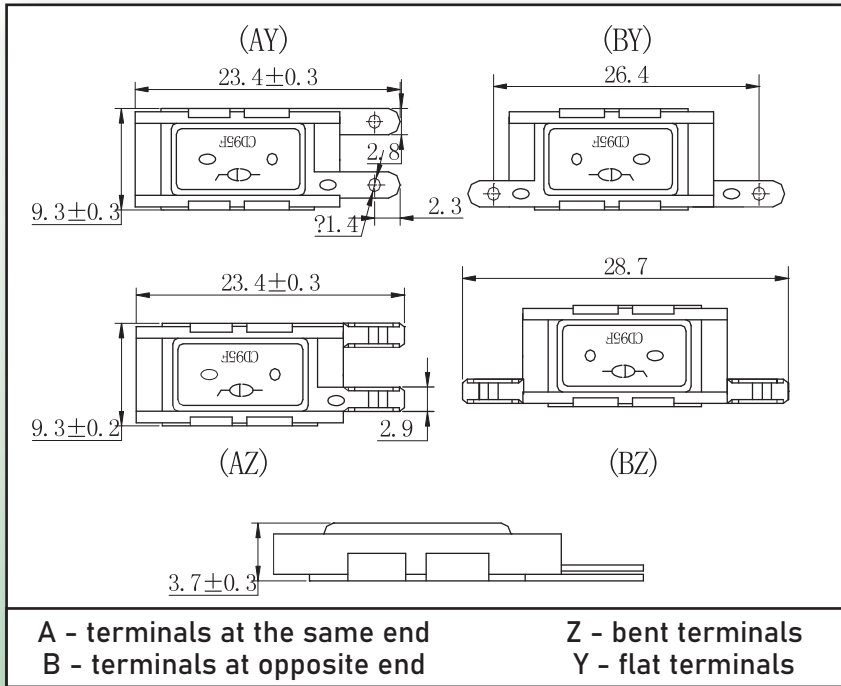


CD95F

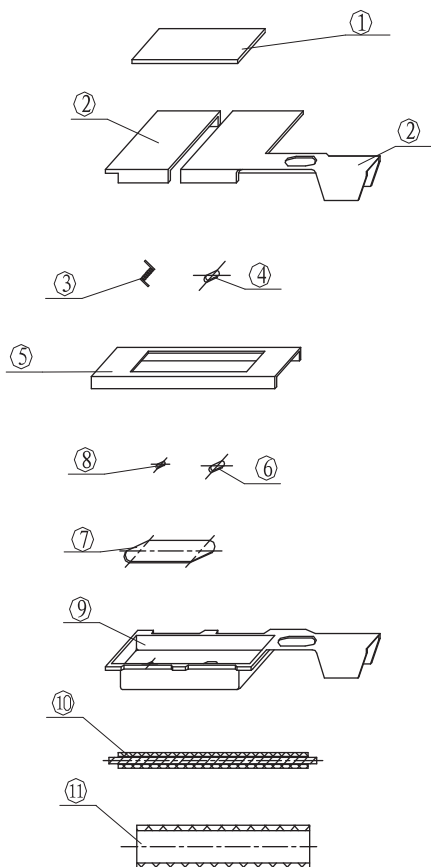
NORMALLY CLOSED THERMAL PROTECTOR



TECHNICAL SPECIFICATION

Contact configuration	Normally closed
Contact rating	240V/9A - 10.000 cycles
Maximum current	230V/20A - 1.000 cycles
Nominal temperature	50°C - 170°C
Approvals	UL, VDE





11	Sleeving	Mylar
10	Leadwire	
9	Housing	Steel
8	Welding slice	Iron
7	Bimetal	Alloy
6	Movable Contact	Silver alloy
5	Insulator	Nomex Paper
4	Stationary contact	Silver Alloy
3	Heater	Alloy
2	Plate	Steel
1	Adhesive Paper	Nomex
No.	Content	Material