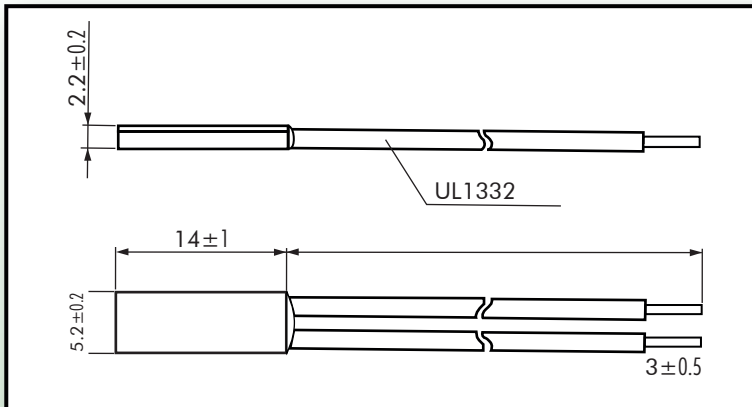


BRMS

THERMAL PROTECTOR

CURRENT SENSITIVE



TECHNICAL SPECIFICATION

Contact configuration	Normally closed
Rated current	DC24V/4A - 240V/2A
Switching cycles	10.000
Dimensions	14 x 5,2 x 2,2 mm
Nominal temperatures	45°C - 120°C
Tolerance	$\pm 5^\circ\text{C}$
Max room temperature	120°C
Degree protection	IP00

