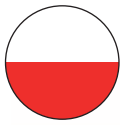


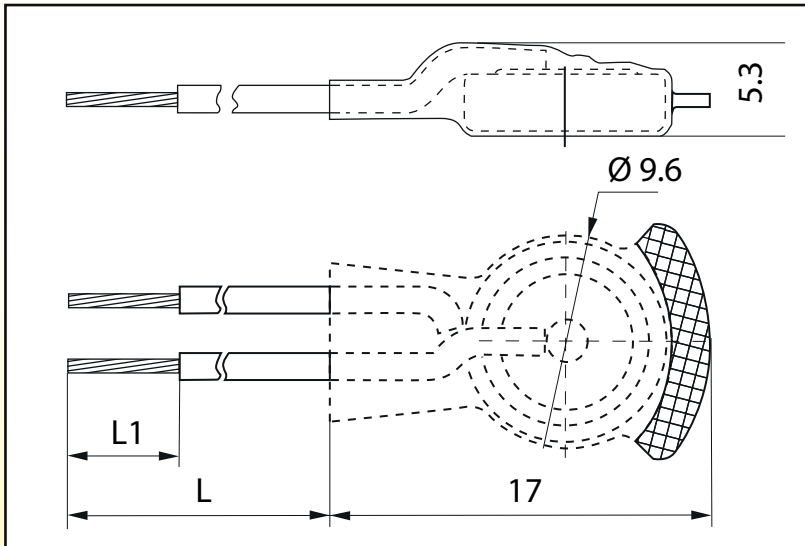


TOMIC S.A.



# THERMAL PROTECTOR

# AD02 SERIE



## TECHNICAL DATA

<b>Contacts</b>	SPST, normally closed
<b>Rated current</b>	2,5A/250V
<b>Switching cycles</b>	10.000
<b>Maximum loading</b>	3,6A/2.000 cycles
<b>Nominal temperature</b>	65° - 160°C
<b>Switching tolerance</b>	±5K/±10K
<b>Switching differential</b>	30±15K
<b>Degree of protection</b>	IP00
<b>Approval</b>	VDE, UL



**RD**  
Components S.r.l.

Via Bergamo 6 - 20835 Muggiò(MB) ITALY  
Tel. +39 039 2328773 P.IVA 12934630158  
[www.rdcomponents.com](http://www.rdcomponents.com) - [www.rdc-service.it](http://www.rdc-service.it)

