

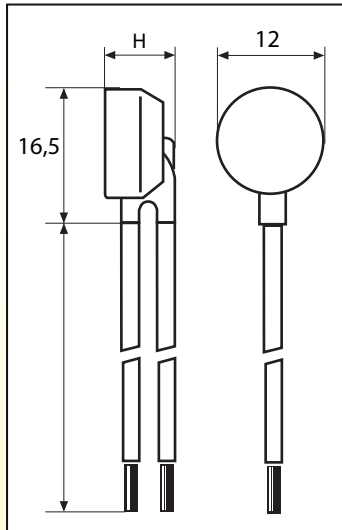


TOMIC S.A.



THERMAL PROTECTOR

AC13 SERIE



H = 7,7 for silicon cable

H = 7,2 for PTFE cable

TECHNICAL DATA

Contact	Normally open
Rated current	6,3A/250V
Switching cycles	10.000
Maximum loading	10A/2.000 cycles
Nominal temperature	65° - 150°C
Switching tolerance	±5K/±10K
Switching differential	30±15K
Degree of protection	IP00
Approvals	VDE, UL



RD
Components S.r.L.

Via Bergamo 6 - 20835 Muggiò(MB) ITALY
Tel. +39 039 2328773 P.IVA 12934630158
www.rdcomponents.com - www.rdc-service.it

