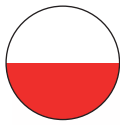


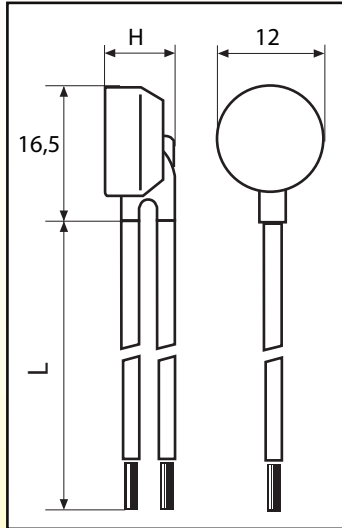


TOMIC S.A.



THERMAL PROTECTOR

AC03G SERIE



H = 8 for silicon cable
 H = 7,5 for PTFE cable

TECHNICAL DATA

Contact	Normally closed
Rated current	13A/250V
Switching cycles	10.000
Maximum loading	16A/2.000 cycles
Nominal temperature	65° - 160°C
Switching tolerance	±5K/±10K
Switching differential	30±15K
Degree of protection	IP00
Approvals	VDE



RD
 Components S.r.L.

Via Bergamo 6 - 20835 Muggiò(MB) ITALY
 Tel. +39 039 2328773 P.IVA 12934630158
www.rdcomponents.com - www.rdc-service.it

