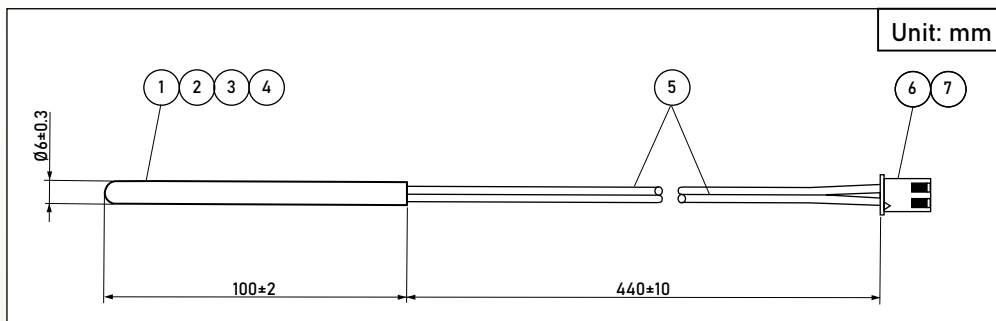


# N3SLMT-K41-RAD2



1	Housing		XHP-2 White
2	Terminal		SXH-001T-P0.6
3	Lead Wire	PVC	AWG24 Black
4	Metal Cap	SUS304	
5	Resin	Epoxy	
6	Solder	Sn	
7	Thermistor		R(25°C) = 10.0KΩ ± 1%
No	<b>PART NAME</b>	<b>MATERIAL</b>	<b>STANDARD</b>

## TECHNICAL SPECIFICATION

**Nominal resistance:** R25 = 10KΩ ± 1%

**B-value:** 3945

**Working temperature range:** -10°C + 110°C