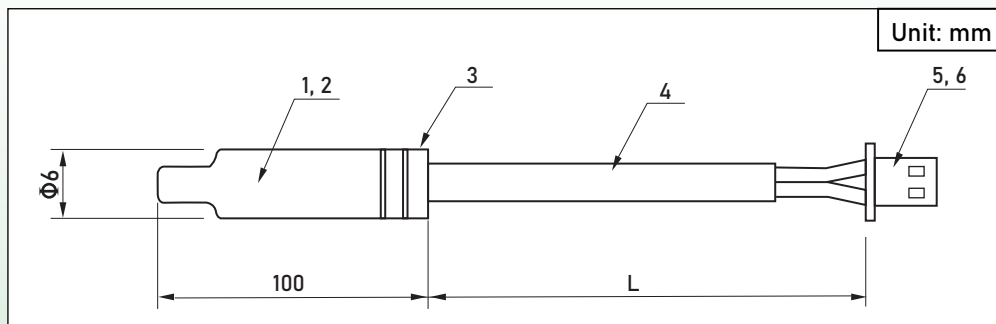


KWC-171-36-1.2M



XH-2Y Plastic terminal, white	6	Plastic terminal	1	
XH Connector	5	Connector	2	
3.3 24AWG/2C PVC grey round jackdt cable	4	Cable	1	
Φ6 - Φ4*100 Steel	3	Shell	1	
Filling epoxy	2	Epoxy		
MG3435F103F	1	NTC Thermistor	1	
Material list	No	Part	Num	Notes

TECHNICAL SPECIFICATION

Nominal resistance: $R_{25}=10K\Omega\pm 1\%$

B-value: $B_{25/85}=3435K\pm 1\%$

Working temperature range: $-20^{\circ}C +105^{\circ}C$

Insulation resistance: $>100M\Omega$ at 500VDC in water

Voltage endurance: Applying 1800VAC/2S between shell and cable, there is no flash or broken (in air)

Fixing protective tube, applying 10N/3S static pull strength along cable, no change for the appearance