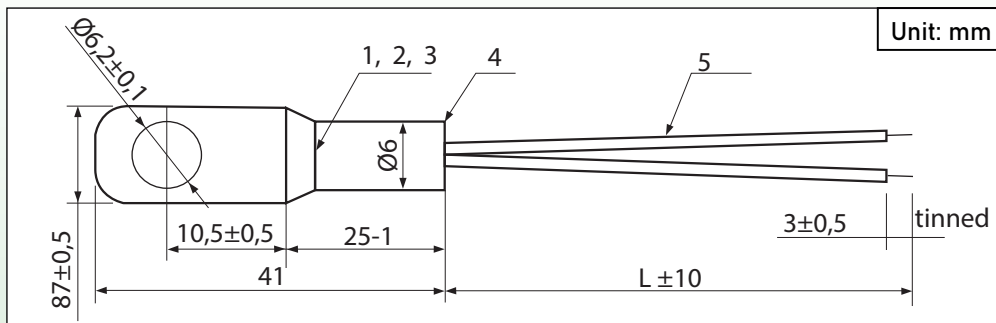


KWCT-171-10



| | | | | |
|-------------------------------------|-----------|---------------------|-------------|--------------|
| UL1332 22AWG 150°C PTFE cable white | 5 | Cable | 1 | White |
| Ø6*25*41 flat copper shell | 4 | Tube | 1 | |
| Potting epoxy | 3 | Potting epoxy | | |
| Encapsulating epoxy | 2 | Encapsulation epoxy | | Black |
| KWMD3977F103F | 1 | NTC thermistor | 1 | |
| Material list | No | Part | Num. | Color |

TECHNICAL SPECIFICATION

Nominal resistance: $R_{25}=10K\Omega\pm 1\%$

B-value: $B_{25/85}=3977K\pm 1\%$

Working temperature range: $-20^{\circ}C +150^{\circ}C$

Insulation resistance: $>100M\Omega$ at 500VDC in water

Voltage endurance: Applying 1000VAC/2S between shell and cable, there is no flash or broken

Fixing protective tube, applying 10N/3S static pull strength along cable, no change for the appearance

Connector can afford 10N/min static load, no change for the product appearance